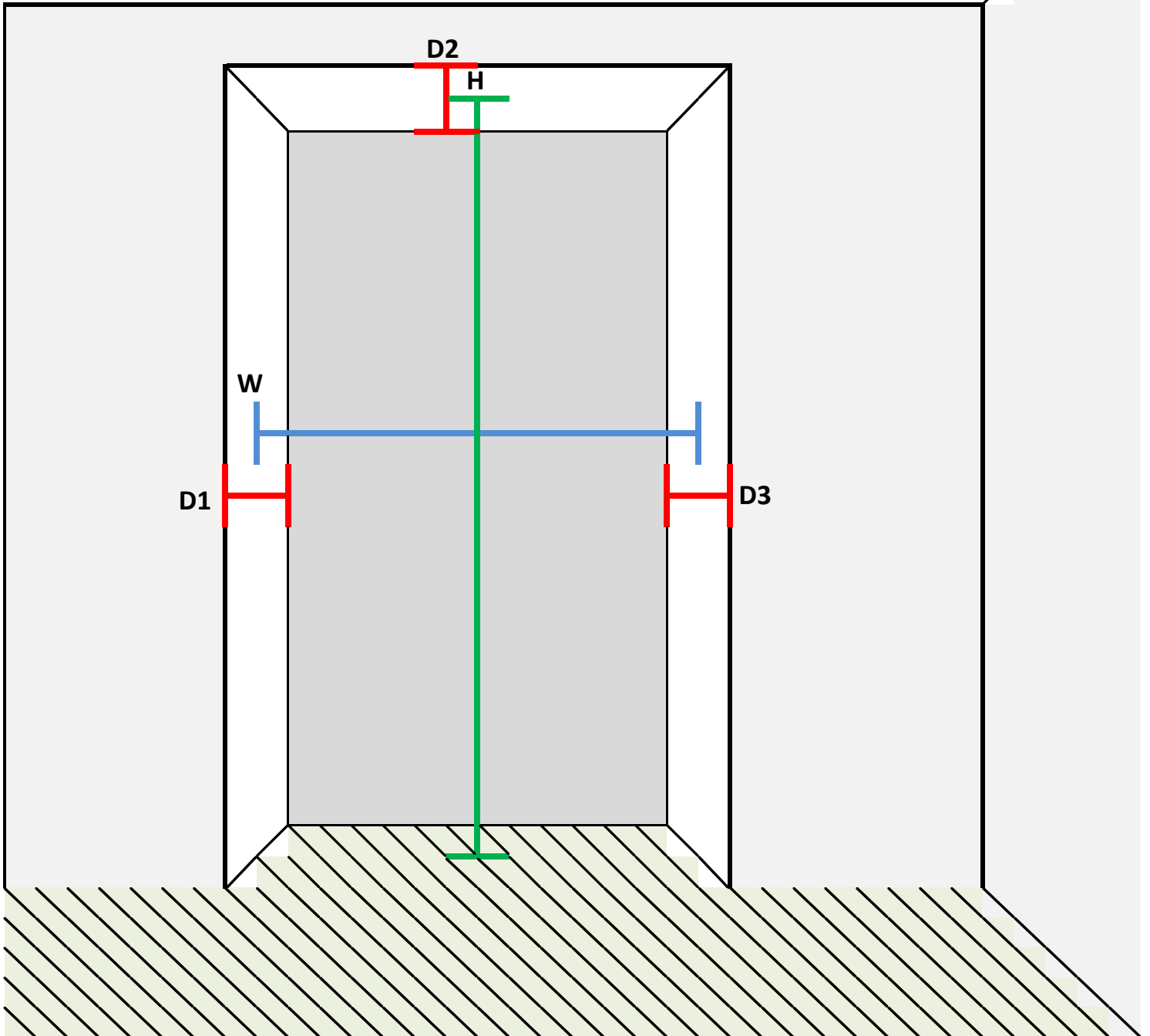


Measure Door/Window Opening - Approximate



Width

W: _____

Height

H: _____

Depth

D1: _____

D3: _____

D2: _____